

### Features

- Operates at 120 and 277 VAC  $\pm$  10%
- Fully dimmable with reverse (3-wire ELV) phase dimmers
- Instant-on technology (patent pending)
- UL 1310 recognized Class 2 output
- Exceeds Energy Star SSL 1.1 criteria
- 5-Year warranty
- Active PFC
- 83% efficiency
- Designed to accommodate IC applications
- Two wire exit location options available
- Constant current output



| Environmental Specifications |   |
|------------------------------|---|
| Operating Temp.              | -20 to 60 °C                              |
| Storage Temp.                | -40 to 80 °C                              |
| Humidity                     | 5 to 95%                                  |
| Lifetime                     | 50,000 Hours (5.7 Years) $T_c \leq 80$ °C |
|                              | 26,280 Hours (3 Years) $T_c \leq 90$ °C   |

| Electrical Specifications   |                                 |                          |
|-----------------------------|---------------------------------|--------------------------|
| Input Voltage               | 120 VAC $\pm$ 10%               | 277 VAC $\pm$ 10%        |
| Input Current               | < 125 mA                        | < 60 mA                  |
| Input Frequency             | 60 Hz                           |                          |
| Power Factor                | 0.99                            | 0.92                     |
| THD                         | 15%                             | 20%                      |
| EMI                         | FCC Title 47CFR, Part 15        | FCC Title 47CFR, Part 15 |
|                             | Class B                         | Class A                  |
| Output Current <sup>1</sup> | 935 mA                          |                          |
| Output Voltage              | 10 – 16 V                       |                          |
| Ripple Current              | < 20%                           |                          |
| Maximum Compliance Voltage  | 16 VDC                          |                          |
| Protection Output           | Open/Short Protection           |                          |
| Dimming Range <sup>2</sup>  | 5% - 95% Nominal Output Current |                          |

<sup>1</sup> +/- 5% from 10 to 16 VDC over operating temperature range

<sup>2</sup> Tested with 120 VAC ELV Dimmer (Norlux is not aware of 277 VAC ELV dimmers)

### Model Numbers

| Part Number | Model Number       | Current (mA) | Wattage (W) | Package/Voltage            | Wire Exit                           | Dimming |
|-------------|--------------------|--------------|-------------|----------------------------|-------------------------------------|---------|
| 130608      | NPSCC-02-C0900-2-2 | 900          | 15          | Standard Package, 120/277V | bottom exit, separated input/output | ELV     |
| 130694      | NPSCC-02-C0900-1-2 | 900          | 15          | Standard Package, 120/277V | Side exit, opposite long ends       | ELV     |

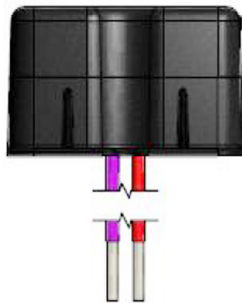
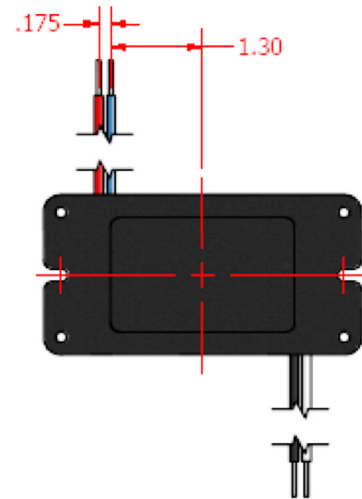
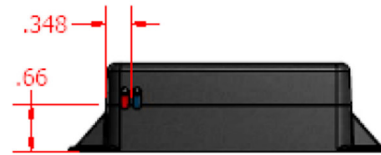
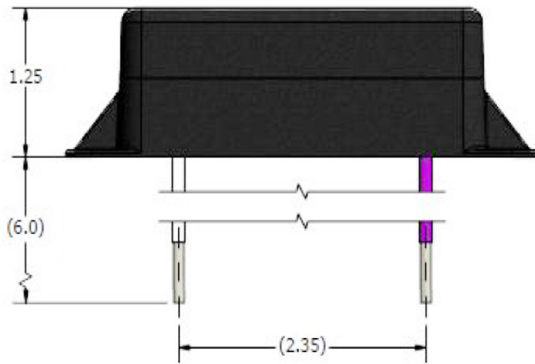
### Mechanical Specifications

Dimensions in inches

Weight = 6 oz. (170 gm)

All wires 18 AWG

Wire Exit Code 1  
Side exit, opposite ends



Specifications subject to change without notice.