

Features

- Fully dimmable with Forward (2-wire Triac) and Reverse (3-wire ELV) Phase Dimmers
- Instant-On™ Technology (Patent Pending)
- UL 1310 Recognized Class 2 Output
- Exceeds Energy Star SSL 1.1 Criteria
- 3-Year Warranty
- Active PFC
- 87% Efficiency
- Designed for IC applications
- Two wire exit location options available
- Constant Current Output



Environmental Specifications

Operating Temperature	-20 to 60 °C
Storage Temperature	-40 to 80 °C
Humidity	5 to 95%
Lifetime	50,000 Hours (5.7 Years) $T_C \leq 80\text{ °C}$ 26,280 Hours (3 Years) $T_C \leq 90\text{ °C}$

Electrical Specifications

Input Voltage	120 VAC +/- 10%
Input Current	< 130 mA
Input Frequency	60 Hz
Power Factor	0.99
THD	< 20%
EMI	FCC Title 47CFR, Part 15 Class B
Output Current ¹	1000 mA
Output Voltage	10-16V
Ripple Current	< 20%
Maximum Compliance Voltage	16 VDC
Protection	Output Open/Short Protection
Dimming Range	10% - 100% Nominal Output Current

¹ +/- 5% from 10 to 16 VDC over operating temperature range

Model Numbers

Model Number: NPSCC-01-C1000-2-3 (Bottom wire exit style)
Part Number: 130607

Model Number: NPSCC-01-C1000-1-3 (Side wire exit style)
Part Number: 130693

NORLUX NORLUX CORPORATION 575 RANDY ROAD CAROL STREAM, IL 60188-2121	CREATED BY: DH	SAP #: 130607	
	CREATED DATE: 3/10/09	PAGE: 1 of 1	
TITLE: Norlux 15W CC Driver, 120VAC, 1A, Triac and ELV Dimmable	CHECKED BY: DB	DRAWING NO.	REV.
	APPROVED BY: JG	N0900-0099	R04

Mechanical Specifications

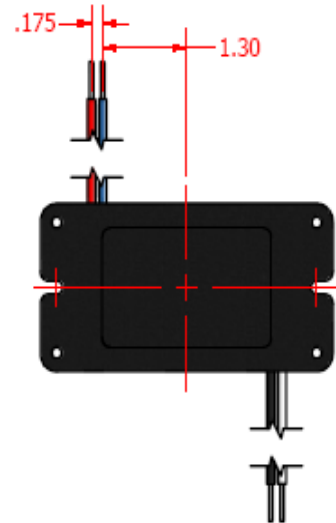
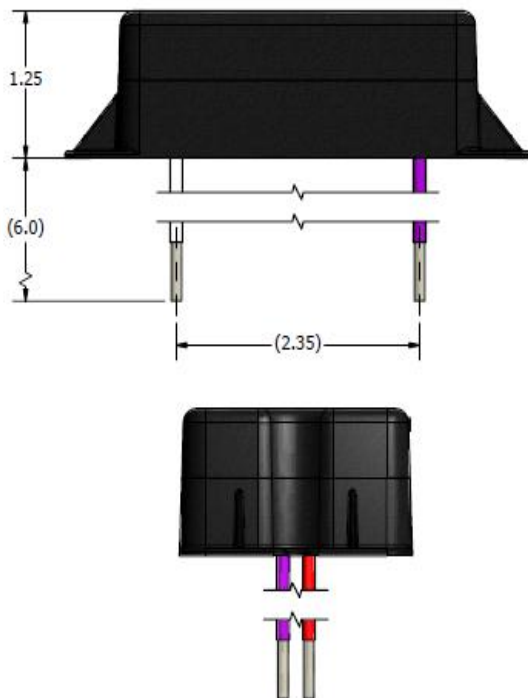
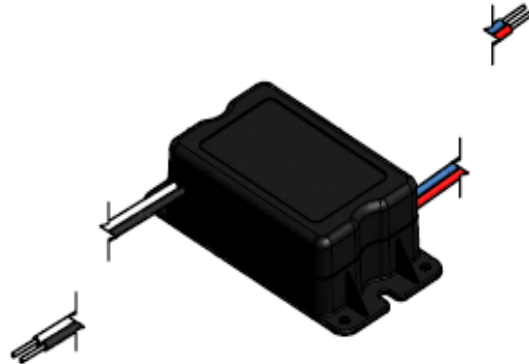
Dimensions in inches

Weight = 6 oz. (170 gm)

All wires 18 AWG



Wire Exit Code 1
Side Exit, Opposite Ends



REV	DESCRIPTION	BY	DATE	ECO #
R00	Initial Release	DMH	6/25/09	-
R01	Added V-out, placed in drawing template	DJB	7/7/09	-
R02	Updates	DMH	11/5/09	-
R03	Updated Model Number	DPF	1/28/10	-
R04	Update model images & PN for both wire exit styles	DJB	5/14/10	-

NORLUX

NORLUX CORPORATION
575 RANDY ROAD
CAROL STREAM, IL 60188-2121

CREATED BY: DH

SAP #: 130607

CREATED DATE: 3/10/09

PAGE: 2 of 2

TITLE: **Norlux 15W CC Driver, 120VAC, 1A, Triac and ELV Dimmable**

CHECKED BY: DB

DRAWING NO.

REV.

APPROVED BY: JG

N0900-0099

R04