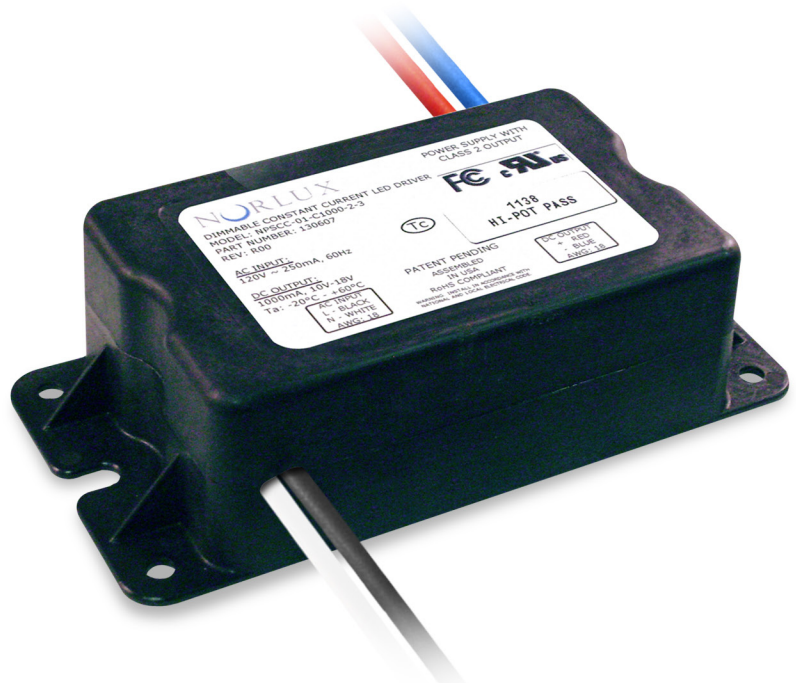


Features

- Fully dimmable with Forward (2-wire Triac) and reverse (3-wire ELV) phase dimmers
- Instant-on technology (patent pending)
- UL 1310 recognized class 2 output
- Exceeds Energy Star SSL 1.1 criteria
- 5-Year warranty
- Active PFC
- 87% efficiency
- Designed to accommodate IC applications
- Two wire exit location options available
- Constant current output



Electrical Specifications

Input Voltage	120 VAC ± 10%
Input Current	< 130 mA
Input Frequency	60 Hz
Power Factor	< 20%
THD	.99
EMI	FCC Title 47CFR, Part 15, Class B
Output Current ¹	1000 mA
Output Voltage	10-16V
Ripple Current	< 20%
Maximum Compliance Voltage	16 VDC
Protection	Output Open/Short Protection
Dimming Range	10% - 100% Nominal Output Current

¹ +/- 5% from 10 to 16 VDC over operating temperature range

Environmental Specifications

Operating Temp.	-20 to 60 °C
Storage Temp.	-40 to 80 °C
Humidity	5 to 95%
Lifetime	50,000 Hours (5.7 Years) T _c ≤ 80 °C
	26,280 Hours (3 Years) T _c ≤ 90 °C

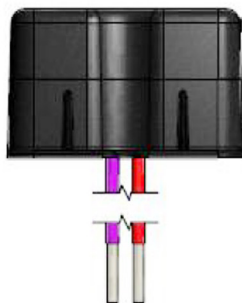
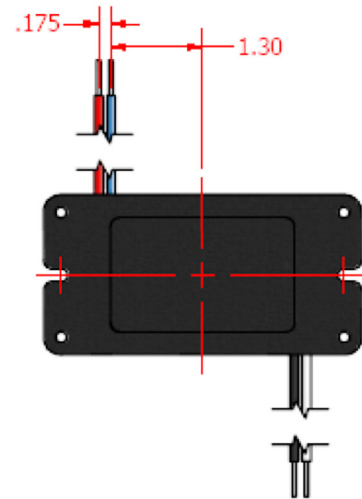
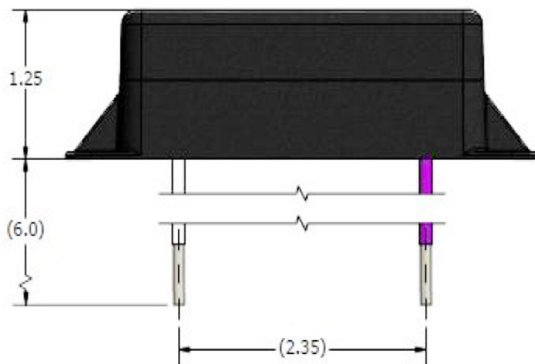
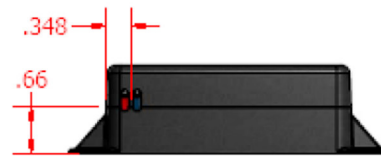
Model Numbers

Part Number	Model Number	Current (mA)	Wattage (W)	Package/Voltage	Wire Exit	Dimming
130607	NPSCC-01-C1000-2-3	1000	15	Standard Package, 120V	bottom exit, separated input/output	Triac and ELV
130693	NPSCC-01-C1000-1-3	1000	15	Standard Package, 120V	Side exit, opposite long ends	Triac and ELV

Mechanical Specifications

Dimensions in inches
Weight = 6 oz. (170 gm)
All wires 18 AWG

Wire Exit Code 1
Side exit, opposite ends



Specifications subject to change without notice.