

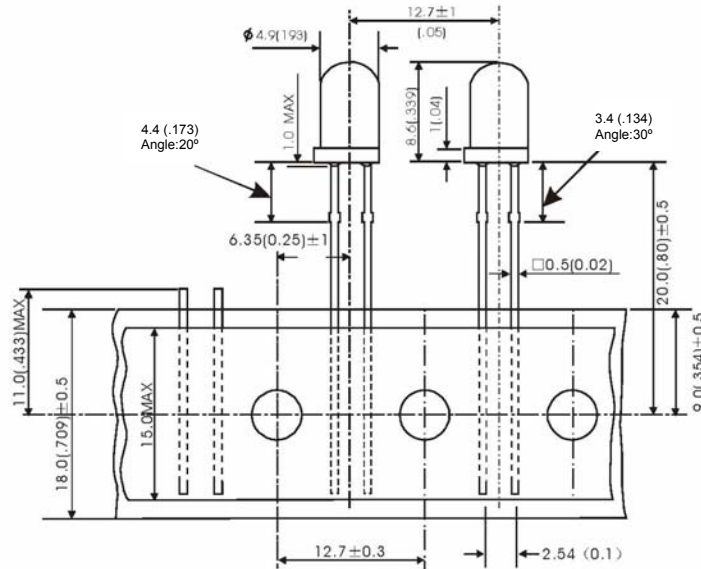
REV	DESCRIPTION	BY	DATE	APPROVED
X01	Updated with correct flux and intensity data	DH	4/6/04	DH
X02	Update Model Number and Figure	DH	7/20/04	DH


### Description

HB-LED T1-3/4 UV Lamp Series

### Specifications

Electrical (Maximum Ratings $T_A = 25\text{ }^\circ\text{C}$ )	
Average Forward Current, $I_F$	30 mA
Pulsed Current, $I_{FM}$ (10% pulse at 1 kHz)	100 mA
Current Derating	0.40 mA / $^\circ\text{C}$
Reverse Voltage	4.0 V
Operating Temperature	-25 $^\circ\text{C}$ to +85 $^\circ\text{C}$
Storage Temperature	-25 $^\circ\text{C}$ to +100 $^\circ\text{C}$
Lead Soldering Temperature	260 $^\circ\text{C}$ for 5 seconds
Electrical / Optical ( $I_F = 20\text{ mA}$ , $T_A = 25\text{ }^\circ\text{C}$ )	
Radiant Flux, $\Phi_V$	5 mW (min) / 7 mW (typ)
Peak Wavelength, $\lambda_P$	414 nm +/- 4 nm
Full Width Half Maximum (FWHM)	< 20 nm
Radiant Intensity (typical)	
	<b>NLP414001L00S20</b> 30 mW / sr
	<b>NLP414001L00S30</b> 18 mW / sr
Viewing Angle, $2\theta_{1/2}$	
	<b>NLP414001L00S20</b> 20 $^\circ$
	<b>NLP414001L00S30</b> 30 $^\circ$
Forward Voltage, $V_F$	3.8 V (typ)



	NORLUX CORPORATION 575 RANDY ROAD CAROL STREAM, IL 60188-2121	CREATED BY: DMH	SAP #: Multiple
		CREATED DATE: 10/7/2003	PAGE: 1 of 1
TITLE: LED Lamp, T1-3/4, UV, Specification		CHECKED BY: -	DRAWING NO. N0900-0050
		APPROVED BY: -	